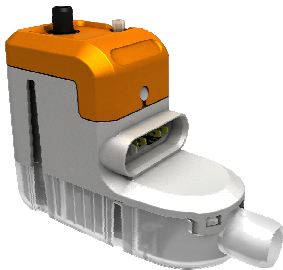


Si-10

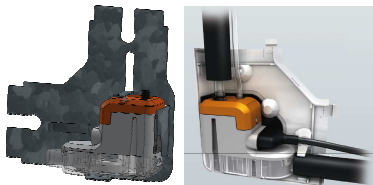
UNIVERS' L PISTON PUMP



Versatile pump

The distinctive shape of the new Si-10 UNIVERS' L pump allows its use in both new installations and refurbishments. The improved pump ensures a reduced sound level and the new design offers ease of maintenance.

BENEFITS



• Universal installation

- A single pump for multiple applications :
 - Covers a large range of capacity, up to 20 kW.
 - Included in our 80x50 and 80x60 Delta Pack.
 - Allows the replacement of the majority of quick fit elbow pumps on the market over the last 10 years.
- "Drain Safe Device" facilitates connection to the discharge pipe.

• Silence

- Silent operation: 22 dBA at full power - Independently tested.
- Mounting bracket designed to reduce vibration transmission.

• Easy maintenance

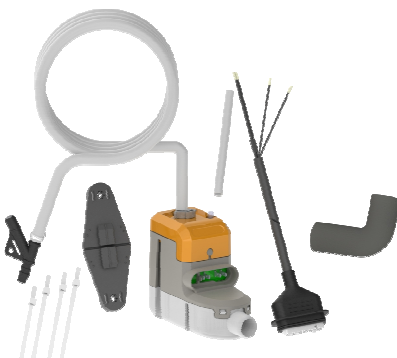
- Transparent, removable reservoir.
- Secure float assembly
- Plug-in power cable.

• Proven reliability

- Sauermann inside®: exclusive technology.
- No filter. Designed to allow free passage of particles up to 2 mm.
- High flow – Up to 20 ltr/hr = Less run time
- The Drain Safe Device retains prime and prolongs the pump life.



KIT CONTENT



- Si-10 piston pump unit.
- Integral detector
- Clear PVC tube Ø int. 6mm – L : 1m, fitted with a « Drain Safe Device » (ACC00216).
- Anti vibration mounting bracket.
- 1.5 m plug-in power cable: 2 supply wires, 2 NC safety switch contact wires.
- Installation kit:
 - 90° elbow pipe Ø int. 15mm x L60mm
 - Vent tube Ø int. 4mm x L75m

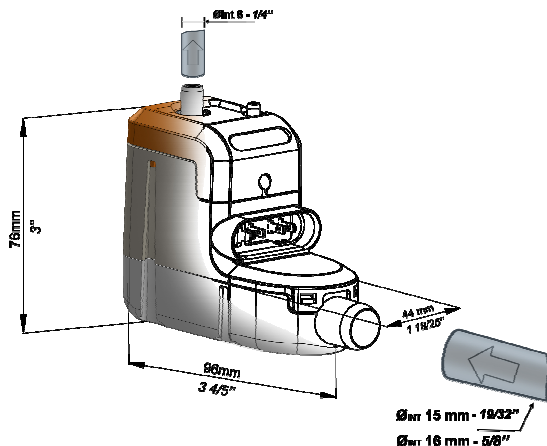
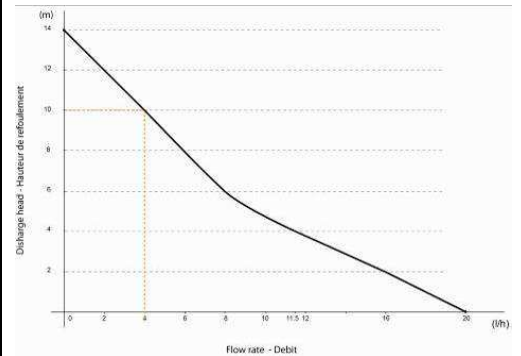
APPLICATIONS

- All air-conditioners up to 20 kW :
- Wall-mounted split units
 - Floor / Ceiling units
 - Ducted units



TECHNICAL SPECIFICATIONS

Max. flow rate	20 l/h
Max. discharge head	10 m (Flow = 4l/h)
Max. pressure	14 m (Flow = 0l/h)
Sound level at 3.3ft (1m) according to EN ISO 3744 (Measured at LNE lab, pump operating with water, out of application)	22 dBA
Sound level at 3.3ft (1m): (Measured at Sauer mann lab, pump operating with water)	< 25 dBA
Mains supply	230 V ~ 50/60 Hz - 14 W
Isolation	<input type="checkbox"/> (double isolation)
Detection levels	ON: 18mm, OFF: 13mm, AL: 21mm
Safety switch	NC 8 A resistive - 250 V
Thermal protection (overheating)	90°C (automatic restarting)
Operating Cycle	30%: 3s ON – 7s OFF
Protection	IPX4
Safety standards	CE
RoHS directive	Compliant
WEEE directive	Compliant
Packaging	0.40 kg - L170 x W160 x H100 mm
Masterpack	12 pieces



ACTUAL FLOW RATE (l/h)

Discharge head	Total tube length (Ø int. 6 mm)			
	5 m	10 m	20 m	30 m
0 m	20	19	18	17
2 m	16	15	14	13,5
4 m	11,5	11	10,5	10
6 m		8,5	7,5	6,5
8 m		6	5	4
10 m		4	3,5	2,5

RECOMMENDED ACCESSORIES



Clear PVC hose
 Øint. 6mm
 ACC 00105 : 5m
 ACC 00150 : 50m
 ACC 00151 : braided, 50m



Self-sealing fitting for drain hose
 Øint. 6mm
 ACC 00205 (6 pieces)